

# RD-280

## FLANGED CAST IRON ROOF DRAIN

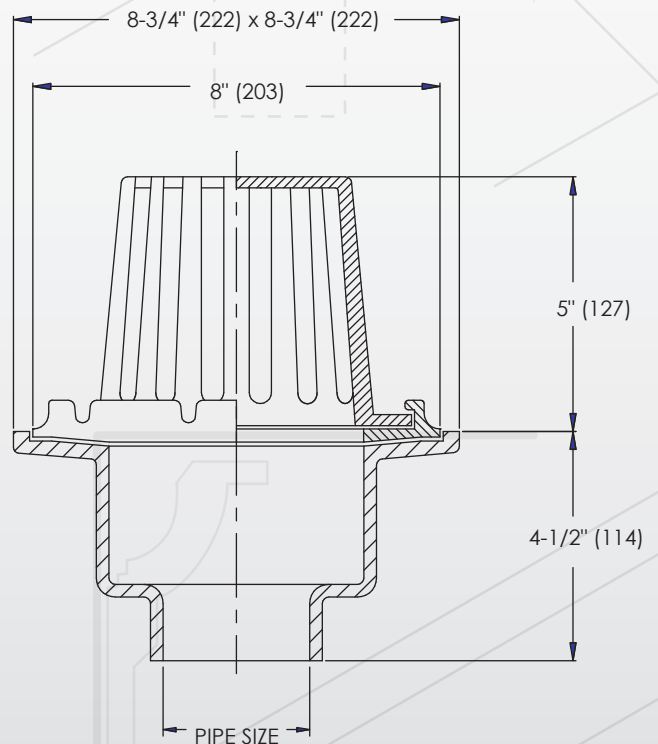
RD-280 cast iron roof drain with deck flange, drain body, flashing clamp with integral gravel guard, self-locking cast iron dome, and no hub outlet.

### FEATURES

- Engineered with cast iron for long life and durability
- Self-locking cast iron dome and no hub outlet simplify installation and maintenance
- Deck flange and flashing clamps with integral gravel guard help ensure reliable drainage

### OPTIONS

- Vandal proof strainer
- 2" (51) external water dam



Free Area Sq. In.	<b>Deck opening</b> <b>8-3/8" (213)</b>
35	