

# RD-200-R

## SMALL AREA CAST IRON ROOF DRAIN

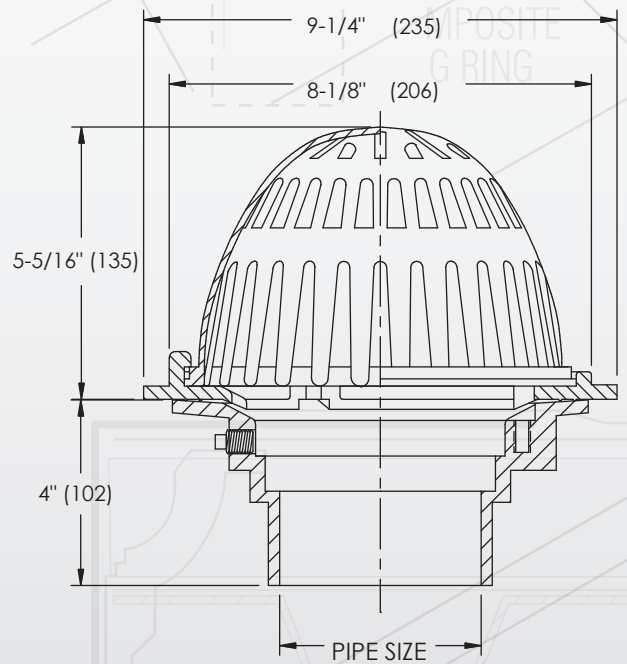
Small body epoxy coated cast iron roof drain with flashing clamp with integral gravel stop, self-locking polyethylene dome and no hub (standard) outlet.

### FEATURES

- Engineered with cast iron for long life and durability
- Self-locking polyethylene dome (standard) and no hub (standard) outlet simplify installation and maintenance
- Flashing clamp and integral gravel stop ensure reliable drainage
- Available in 2", 3" and 4"

### OPTIONS

- Push-on or threaded outlets
- Sump receiver
- Underdeck clamp
- Side outlet
- Adjustable extension flange
- PVC body



Free Area Sq. In.	<b>Deck opening 6-1/2" (165) with sump receiver 8" (203)</b>
35	