

SPECIALTY ROOF DRAINS



SPECIALTY ROOF DRAINS

PARAPET/ SCUPPER DRAINS

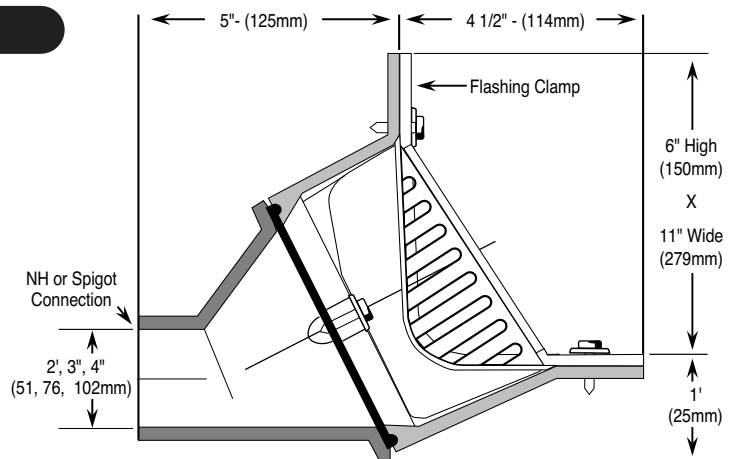
MODEL RD-27

A well constructed, heavy duty, versatile roof drain combining horizontal and vertical drainage with an interchangeable hub for flexible installation.



FEATURES:

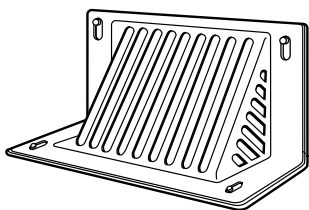
- Designed for sidewall roof installation.
- Durable cast iron.
- Hub connection is reversible to accommodate 45° or 90° installation.
- Angled grate is standard. Flat grate is optional.
- Epoxy paint is standard. Nickel bronze finish is optional.



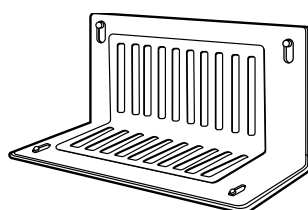
RD-27

SPECIFICATIONS:

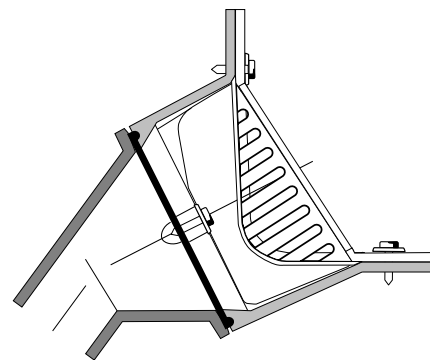
Enpoco Series RD-27 Parapet (Scupper) Drain with oven cured epoxy coated cast iron body, flashing clamp and secured epoxy coated angled grate.



Standard Angled Grate



Optional Flat Grate



RD-27-45

Outlet may be used at 45° or 90° by removing two bolts and changing outlet position one half rotation.



3310 N. Benzing Road, Orchard Park, NY 14127-1538
PH: (716) 332-7673 • FAX: (716) 332-7676

FOR MORE INFORMATION:
CALL TOLL-FREE 1-800-828-8424
Website: www.marathondrains.com • E-mail: mrp@marathondrains.com

SPECIALTY ROOF DRAINS



SPECIALTY ROOF DRAINS

COPPER SCUPPER DRAINS



FEATURES:

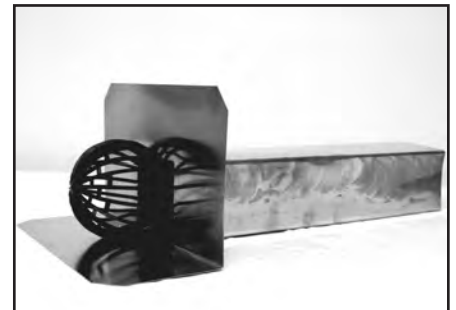
- Available in 4" x 4" x 18" Long
- Grate options of either Cast Iron, Nickel Bronze or Plastic.
- Special lengths are also available. Please call Marathon for details.



With Cast Iron Grate



With Nickel Bronze Grate



With Plastic Grate

**Marathon**
Roofing Products
3310 N. Benzing Road, Orchard Park, NY 14127-1538
PH: (716) 332-7673 • FAX: (716) 332-7676

FOR MORE INFORMATION:
CALL TOLL-FREE 1-800-828-8424
Website: www.marathondrains.com • E-mail: mrp@marathondrains.com