



COPPER-TITE



Features

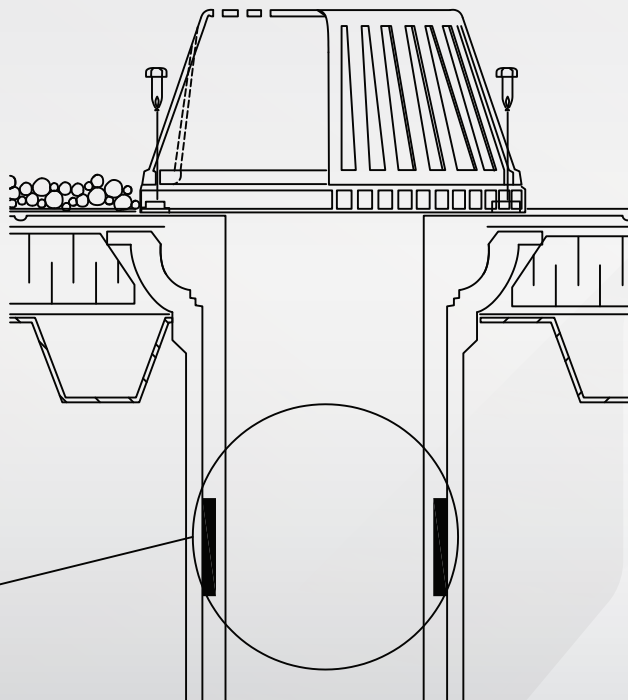
- Quick & Easy to Install
- 14" or 18" Copper Flange
- New Clamping Ring Style for Single-Ply Systems
- Bolt in Place Polyethylene Strainer
- Expanding Tape to Prevent Water Backflow Issues

Options/Accessories

- Aluminum Strainer
- 2-3/4" Low Profile Aluminum Strainer
- Cast Iron Strainer
- Aluminum Clamping Ring
- Metal Clamping Ring
- 2" Overflow Ring
- TPO Coated Flange
- PVC Coated Flange
- Available in Sizes of 2" - 10"
- Available in Non-Standard Sizes of 2.5", 3.5", 4.5", 5.5" & 6.5"
- Custom Sizes Available



COPPER for reliable longevity, **TITE** for a secure water tight fit. This retrofit roof drain is made up of a copper body, ABS clamping ring (standard), polyethylene strainer (standard) and expanding tape to prevent water backflow issues.



Optional Expanded Seal

Compressed Seal

WARNING
Cancer and Reproductive Harm
www.P65Warnings.ca.gov

PVC Coating Only

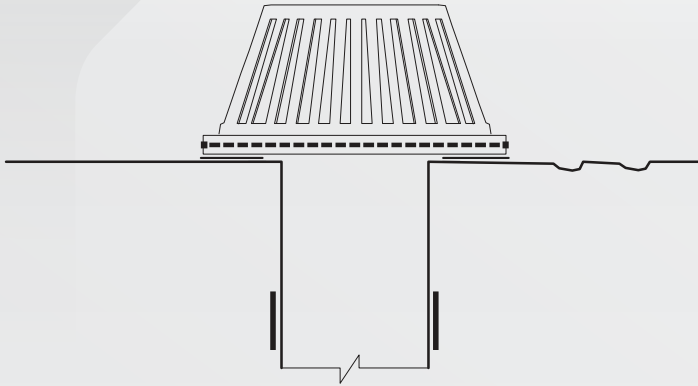
Scan for Full Product Details!



800.828.8424
marathondrains.com



with expanding anti back-up seal feature



Installation

COPPER-TITE Drains are designed to fit neatly into old existing drains in a retro-fit application.

3 Easy Steps To Install:

STEP 1: Inspect the old drain for possible cracks and for a smooth clean surface. Scrape away old asphalt and dirt. Use a heat gun to soften old asphalt and to achieve a relatively dry surface, if necessary.

STEP 2: Test the size of the new COPPER-TITE drain by inserting it into the now clean original drain before removing the compression tape. With the correct size of COPPER-TITE now confirmed, remove the drain, release the compression tape and promptly re-insert the COPPER-TITE drain. The tape gradually expands to fill the space surrounding the outlet of the new COPPER-TITE there-by creating the back-up seal feature.

STEP 3: Flash in the drain flange according to methods determined by the membrane manufacturer and/or the roofer using the clamping ring, if applicable. Attach the strainer dome.

Options & Specifications

STRAINER DOMES: Plastic is Standard, Aluminum & Cast Iron is Optional

FLANGE OPTIONS: Plain Finish - N/C • PVC & TPO Coatings



PVC Coating Only

800.828.8424
marathondrains.com

Precision Details

Drain Pipe Size	Cat #	Specification	Flange Size
2" 51mm	CTS29	150 x 9 (SF)*	14" 356mm
3" 76mm	CTS39	275 x 9 (SF)*	14" 356mm
4" 102mm	CTS49	375 x 9 (SF)*	14" 356mm
5" 127mm	CTS59	475 x 9 (SF)*	18" 457mm
6" 152mm	CTS69	575 x 9 (SF)*	18" 457mm
8" 203mm	CTS89	775 x 9 (SF)*	18" 457mm

Precision Details

Drain Pipe Size	Cat #	Specification	Flange Size
2" 51mm	CTS29CR	150 x 9CR (LF)**	18" 457mm
3" 76mm	CTS39CR	275 x 9CR (LF)**	18" 457mm
4" 102mm	CTS49CR	375 x 9CR (LF)**	18" 457mm
5" 127mm	CTS59CR	475 x 9CR (LF)**	18" 457mm
6" 152mm	CTS69CR	575 x 9CR (LF)**	18" 457mm
8" 203mm	CTS89CR	775 x 9CR (LF)**	18" 457mm

Precision Details

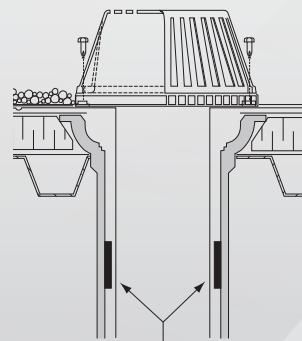
Drain Pipe Size	Cat #	Specification	Flange Size
2" 51mm	CTS29CRE	150 x 9CR (SF)*	14" 356mm
3" 76mm	CTS39CRE	275 x 9CR (SF)*	14" 356mm
4" 102mm	CTS49CRE	375 x 9CR (SF)*	14" 356mm

*(SF) Small Flange

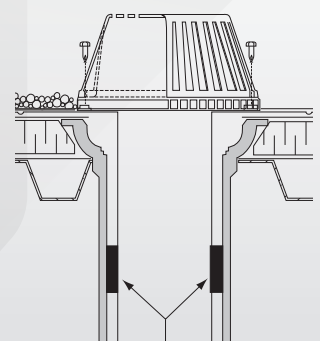
** (LF) Large Flange

Drain Outlets may be ordered extended by 6 inches

Cast Iron Overflow Ring Available to Achieve Overflow Drain.



Compressed Seal



Expanded Seal