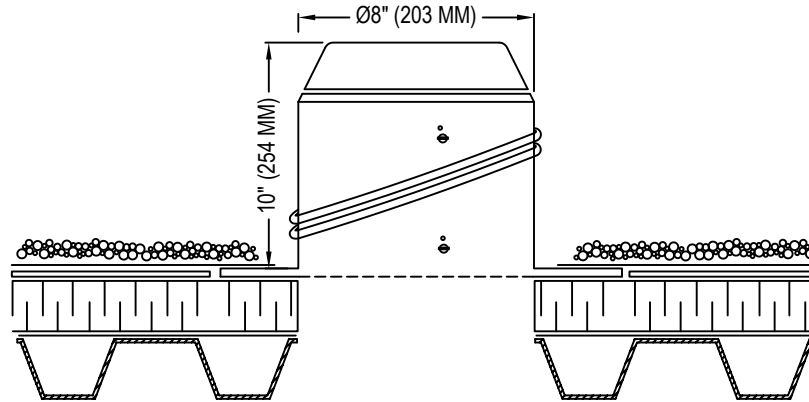




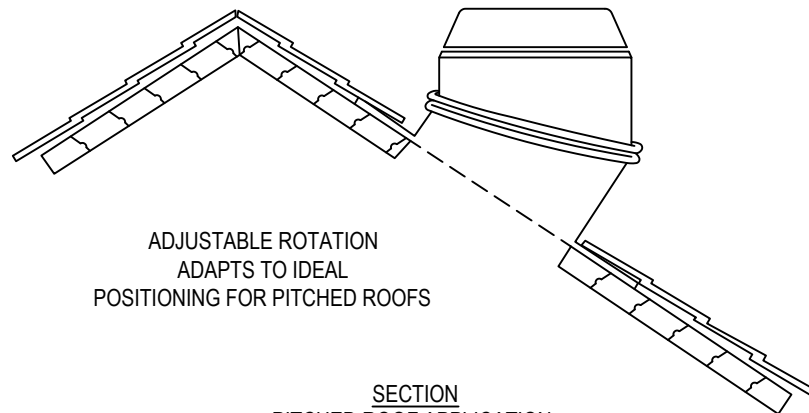
MARATHON ROOFING PRODUCTS, INC
 3310 N BENZING ROAD
 ORCHARD PARK, NY 14127-1538
 TOLL FREE: 1-800-828-8424
 PHONE: (716) 332-7673
 FAX: (716) 332-7676
 www.marathondrains.com

SELECT DESIRED FINISH:

- TPO COATED
- PVC COATED



SECTION
 FLAT ROOF APPLICATION



ADJUSTABLE ROTATION
 ADAPTS TO IDEAL
 POSITIONING FOR PITCHED ROOFS

SECTION
 PITCHED ROOF APPLICATION

SPECIFICATIONS:

MATERIAL: ALUMINUM

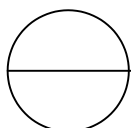
FLANGE DIMENSIONS: 16" (406 MM) X 16" (406 MM)

WEIGHT: 2.25 LBS

- POSITIVE VENTING - RAIN OR SHINE FOR FLAT OR PITCHED ROOFS
- CONTINUOUS, NON-STOP EXHAUST FLOW - DAY OR NIGHT
- SOL-A-VENTS SUPERIOR DESIGN MAXIMIZES AIR FLOW, SEALS OUT WATER

NOTES:

1. INSTALLATION TO BE COMPLETED IN ACCORDANCE WITH MANUFACTURER'S SPECIFICATIONS.
2. DO NOT SCALE DRAWING.
3. THIS DRAWING IS INTENDED FOR USE BY ARCHITECTS, ENGINEERS, CONTRACTORS, CONSULTANTS AND DESIGN PROFESSIONALS FOR PLANNING PURPOSES ONLY. THIS DRAWING MAY NOT BE USED FOR CONSTRUCTION.
4. ALL INFORMATION CONTAINED HEREIN WAS CURRENT AT THE TIME OF DEVELOPMENT BUT MUST BE REVIEWED AND APPROVED BY THE PRODUCT MANUFACTURER TO BE CONSIDERED ACCURATE.
5. CONTRACTOR'S NOTE: FOR PRODUCT AND COMPANY INFORMATION VISIT www.CADdetails.com/info AND ENTER REFERENCE NUMBER 5355-038.



ROOF VENTS

RESIDENTIAL SOL-A-VENT