



# ALUMINUM SCUPPER



## Features

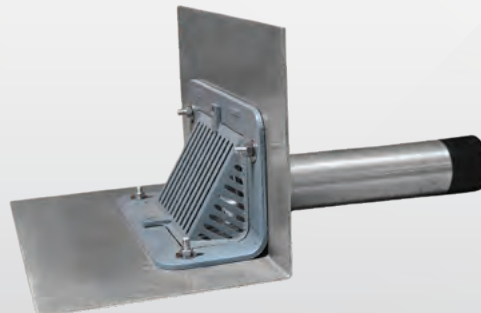
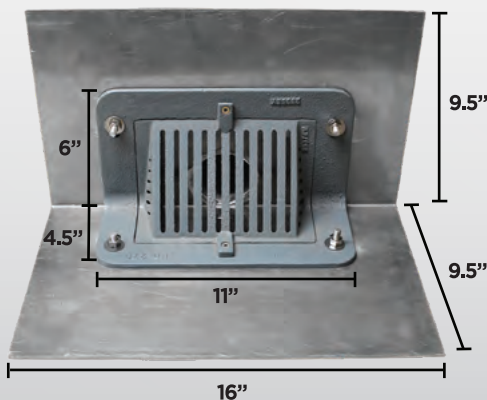
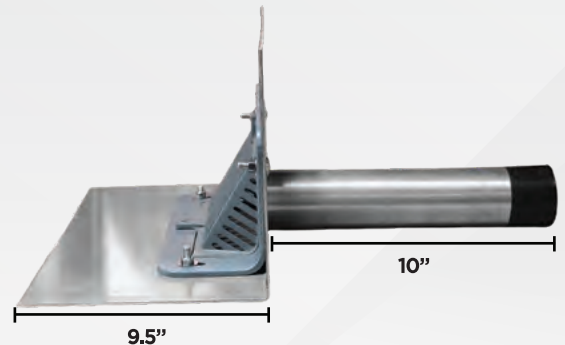
- All-Aluminum
  - Made from Spun Aluminum for Quick Installation & Long-Term Durability
  - Flange Bent at 90° for Flashing in a Side Wall Application
- ProSeal Rubber Seal
  - Standard with ProSeal Rubber Seal, Offering a Watertight Connection & Preventing Water Backup Under the Membrane
- Cast Iron Clamping Ring & Strainer
  - To Secure the Drain to the Membrane & Keep Debris Clear from Drainage System

Engineered for compatibility with existing through-wall, side-wall, or scupper drainage pipes, this system is an excellent solution for reroofing projects that require drain replacement. It installs directly from the roof surface and is specifically designed to integrate with existing plumbing, eliminating the need to remove current piping or fixtures, while providing a secure, watertight seal to both the roof system and the existing drainage infrastructure.

Performance and built to last, made from heavy-duty spun aluminum, with incredible durability, making it the smart choice for distributors, contractors and building owners alike. Installs quickly with compression bolts - no adhesives required - for a secure, long-lasting fit, even in aged or irregular piping.

## Options/Accessories

- 3" or 4" Aluminum Scupper Drain
- TPO Coating
- Other Sizes Available in Copper



Scan for Full Product Details!



800.828.8424  
marathondrains.com