

The **CAST PAK** Assembly of the RD1 Roof Drain provides the essential features of more expensive drains at an affordable price. It is adaptable to most generic materials of single ply and conventional built-up roofing for use with roof decks of steel, wood, precast, concrete or gypsum. This drain offers versatility and easy installation on new and existing roofs.

## CAST PAK Special Packaged Assembly

Molded polyethylene dome strainer. Bolts securely to clamping ring. 10" diameter for 2, 3 & 4" sizes. 12" diameter for 6" & 8".

Epoxy Coated Cast Iron Body. No hub outlet



Epoxy Coated aluminum clamping collar with gravel stop. Grooved for positive drainage on smooth surfaced roofs. Distortion resistant and unbreakable. 10" diameter for 2", 3" and 4" sizes. 12" diameter for 6" & 8".

Aluminum Underdeck clamp. Fastens drain securely to deck

Fernco flexible expansion coupling. Connects to PVC, ABS or Cast Iron Pipe

## CAST PAK INSTALLATION DETAILS FOR REROOFING, ROOF - OVER AND NEW CONSTRUCTION

### IMPORTANT

**Cast-Pak** installation information. Please read paragraphs 1 - 3 before proceeding to install drain.

#### 1. FLASHING ATTACHMENT

Install single ply membrane, soft copper, lead or BUR felt flashing between clamping ring and drain flange.

#### 2. COUPLING HOOK-UP

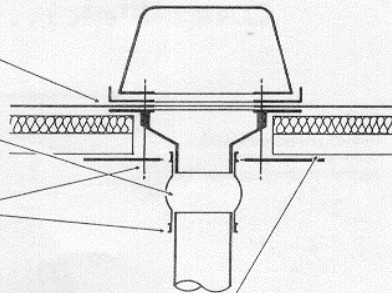
Will attach to Schedule 40 DWV plastic or No hub cast iron drain line.

#### 3. ACCESSORY TIGHTENING PROCEDURE

Use a maximum of 60" lbs. of torque to tighten coupling bands and discretion when securing clamping ring and underdeck clamp. Excessive tightening not required.

**Special Note:** Wet or damaged insulation or insulation with low compressive strength should be removed around drain flange seating area and replaced with insulation having a minimum compressive value of 25 PSI.

Roof drain drawing does not represent actual roof assembly.



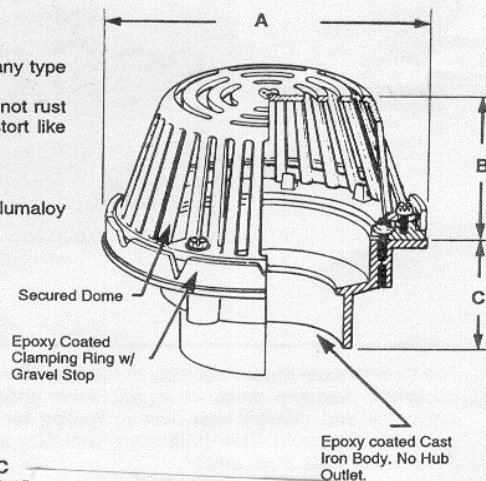
### RD-1 SERIES DRAINS:

- The large Flat flange allows easy installation in any type of roof deck.
- Cast Epoxy coated Elumaloy flashing clamp will not rust or fracture like cast iron clamps and will not distort like plastic clamps.
- Options available to suit all standard installations.

Epoxy coated cast iron body, Epoxy coated Elumaloy flashing clamp and secured UV stabilized Poly Dome.

#### OPTIONS:

- D - Under Deck Clamp
- E - Extension Flange
- M - Metal Dome
- P - Bearing Pan
- W - Waterproofing Flange
- X - Flotrol Device



	A	B	C
RD-1 (No Hub Outlet) .....3", 4"	10 1/4"	5"	3 1/4"
RD1-6 (No Hub Outlet) .....6"	11 3/4"	5"	5"