



# 10" PROMAXX ALUMINATOR



## Features

- Constructed of a Heavy Gauge Spun Aluminum
- Bolt-In-Place Strainer
- 10" Retrofit Drain (9.625" OD)
- 18" Diameter Flange X 12" Long Outlet
- 14" Diameter Aluminum Clamping Ring
- Quick & Easy to Install & Maintain
- Optional Expanding Tape for Anti-Backup
- Fits in Pipe Sizes 9.75" - 10.05"

## Options/Accessories

- Aluminum or Cast Iron Strainer
- 2-3/4" Low Profile Aluminum Strainer
- Cast Iron Strainer
- TPO Coated Flange
- PVC Coated Flange

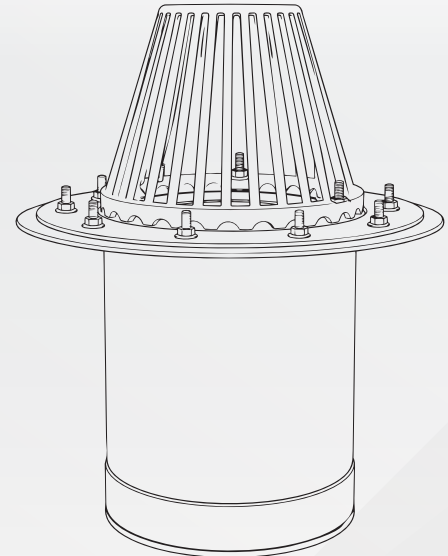
## Installation

**STEP 1:** Determine exact dimension of drain pipe. Select appropriate drain to fit inside the existing drain pipe. Retro-fit drain may be set in a shallow bowl or directly on roof membrane with deck opening of at least 1" (25mm) greater than the leader size into which the drain will be inserted. The flange is adaptable to all membranes. Fasten drain to deck with others fasteners.

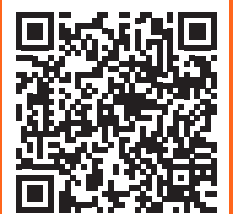
**STEP 2:** Supplied with expandable tape the installer removes the exterior restraining tape and immediately sets the retro drain in place. The released tape gradually expands to fill the space between the drain and the existing drain sleeve making the connection watertight.

**STEP 3:** Flash drain flange in accordance with membrane manufacturer's instructions.

The 10" ProMaxx Aluminator is an efficient and economical 10" spun aluminum retrofit roof drain with a bolt-in-place PVC strainer (standard) with the option of expanding tape to help prevent backflow issues.



Scan for Full Product Details!



PVC Coating Only

800.828.8424  
marathondrains.com